



PLEASE READ INSTRUCTIONS COMPLETELY BEFORE ASSEMBLY

For assistance or missing parts in the USA please: E-MAIL:

OIA_SERVICE@OIANH.COM

or write to: Customer Service Department, Missing Parts

24 RIVER ROAD, SUITE #201, BOGOTA, NJ 07603, U.S.A.

Please call between 10am to 12pm or 2pm to 4pm

Monday thru Friday Eastern Standard time at (201) 488-0808

All international (outside USA) customers requesting missing parts, defect or damages must contact the retailer directly to make an exchange or return for credit.

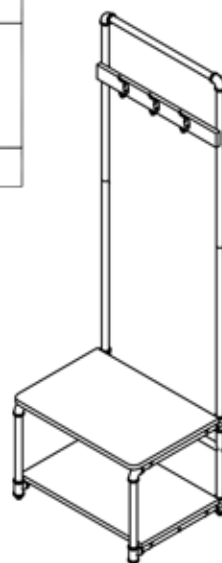
All other customer service product and/or questions may be directed to us.

Style : 84775

#	①	②	③	④
PARTS				
QTY	2	1	1	2
#	⑤	⑥	⑦	⑧
PARTS				
QTY	1	1	1	1

#	Ⓐ	Ⓑ	Ⓒ	Ⓓ	Ⓔ
PARTS					
QTY	3	8	4	12	4
#	Ⓕ	Ⓖ	Ⓗ	Ⓘ	
PARTS					
QTY	2	2	6	1	

Weight Capacity: 400 lbs.



Please Note Parts Request:

We will accept missing parts requests with proof of purchase only, and within 30 days of purchase.

Return merchandise:

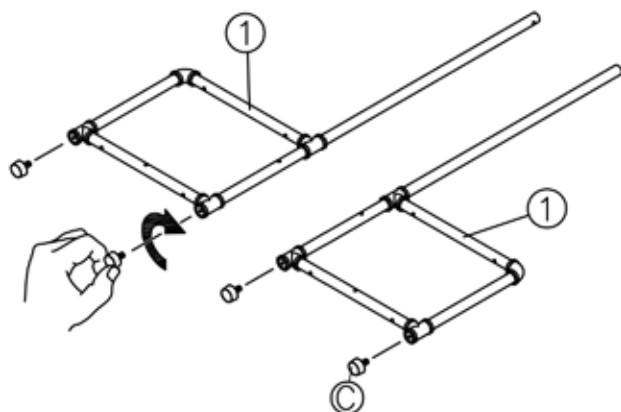
All return merchandise must be returned directly to the store not manufacturer with proof of purchase.

ORGANIZE IT ALL, INC.

The NEU HOME logo is a registered United States trademark of ORGANIZE IT ALL, INC.

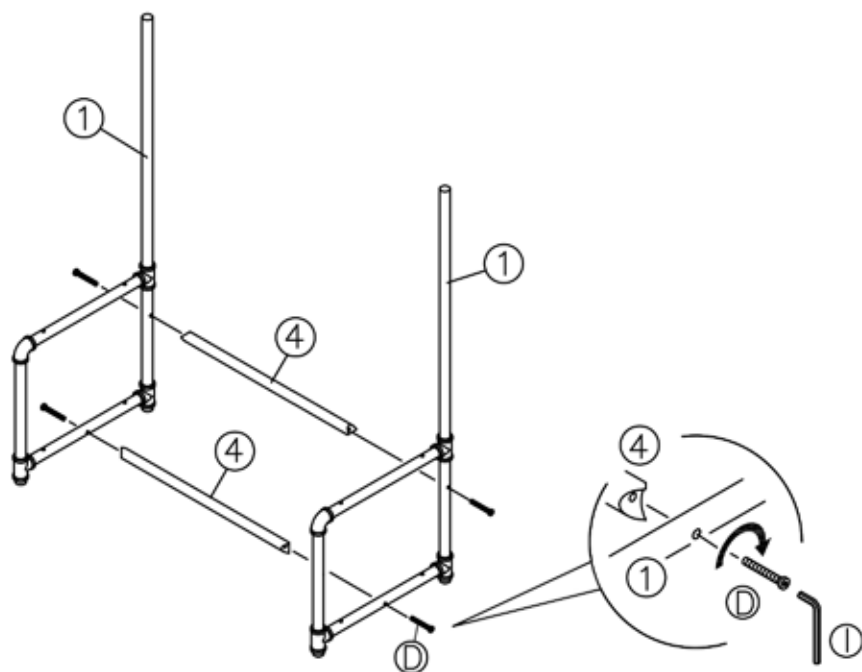
Step 1

Attach part C onto part# 1 and turn clockwise, as shown



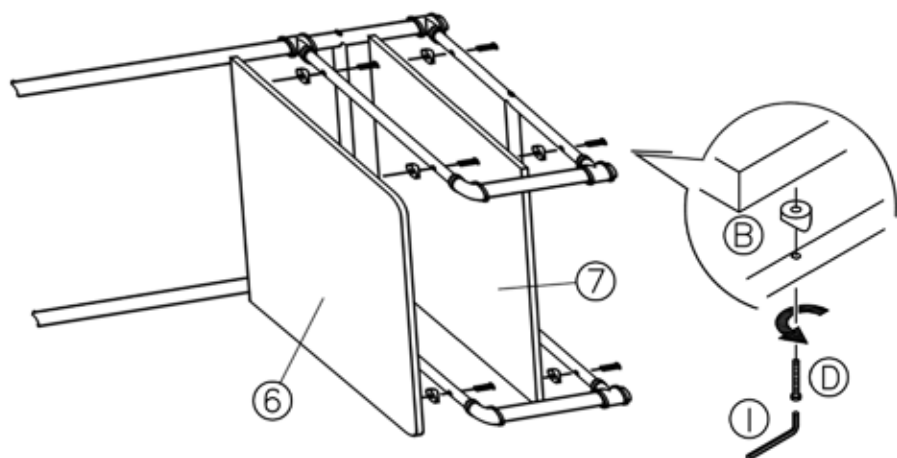
Step 2

Attach part# 4 and part# 1 together as shown



Step 3

Attach part# 6 and part# 7 to the completed structure from Step 2 with part I, B & D.

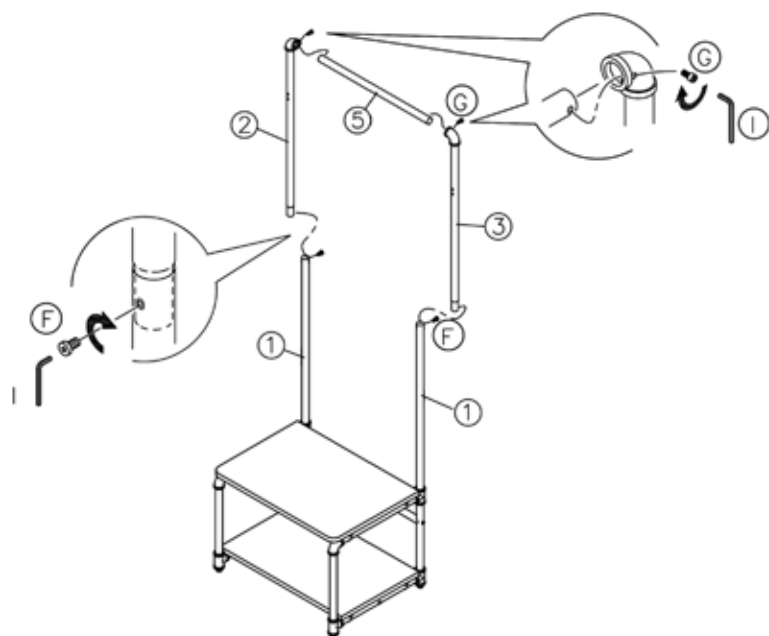


Step 4

Insert part# 2 into part# 1 and screw it with part F

Insert part# 3 into part# 1 and screw it with part F

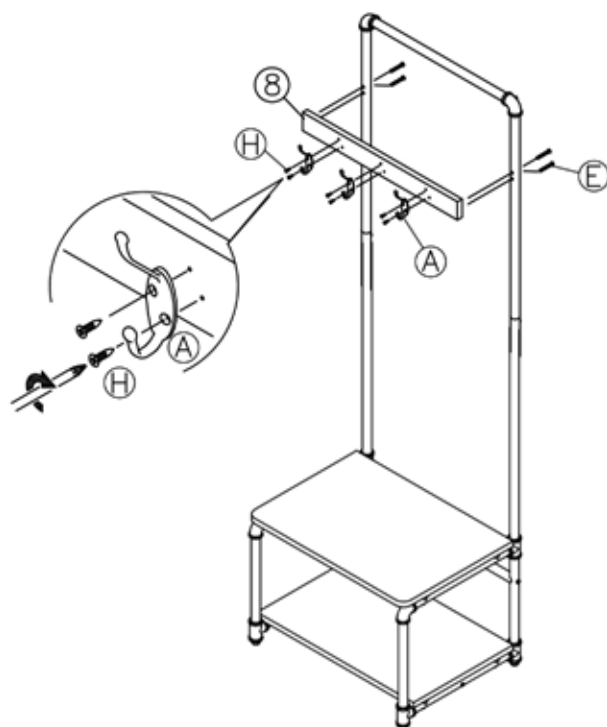
Put part# 5 between part# 2 and part# 3 and screw it with part G.



Step 5

Screw part A onto part 8 using part H (screw).

Screw part# 8 onto the back frame using part E (screw), as shown



The assembly is complete.

ANCHOR THE UNIT TO THE WALL

Screw part J onto wall

Insert part K through part J and then tie the product as shown below

#	ⓐ
PARTS	
QTY	2
#	ⓑ
PARTS	
QTY	2
#	ⓒ
PARTS	
QTY	4

