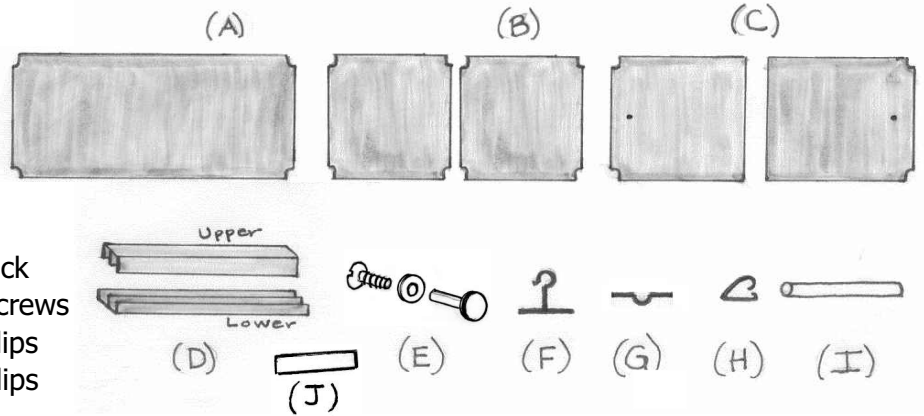


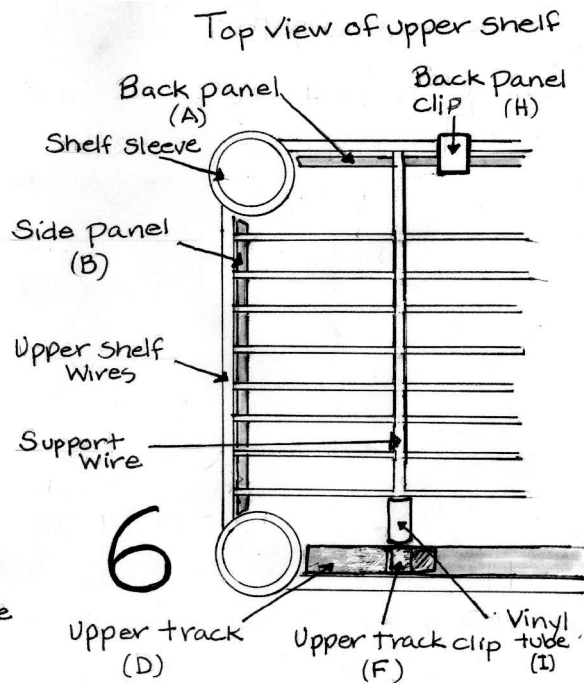
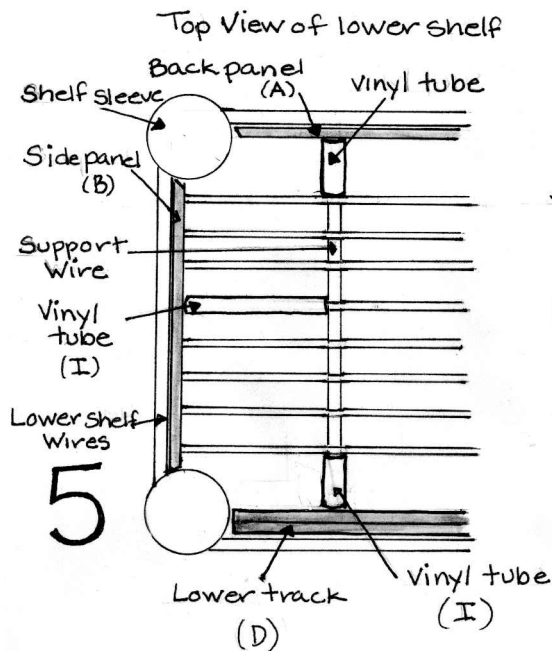
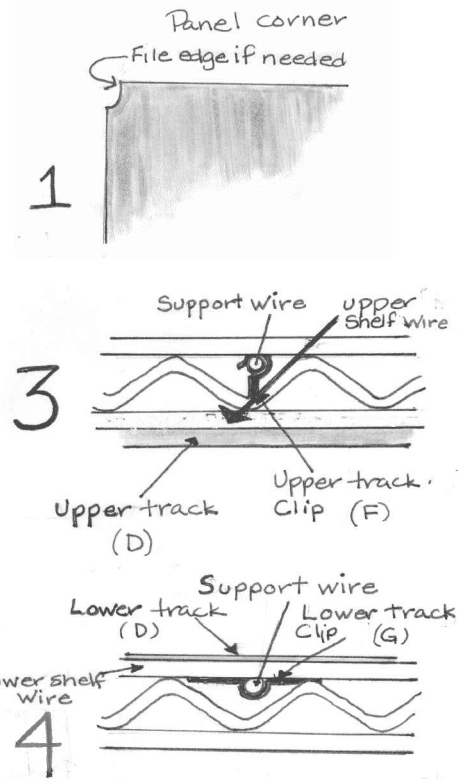
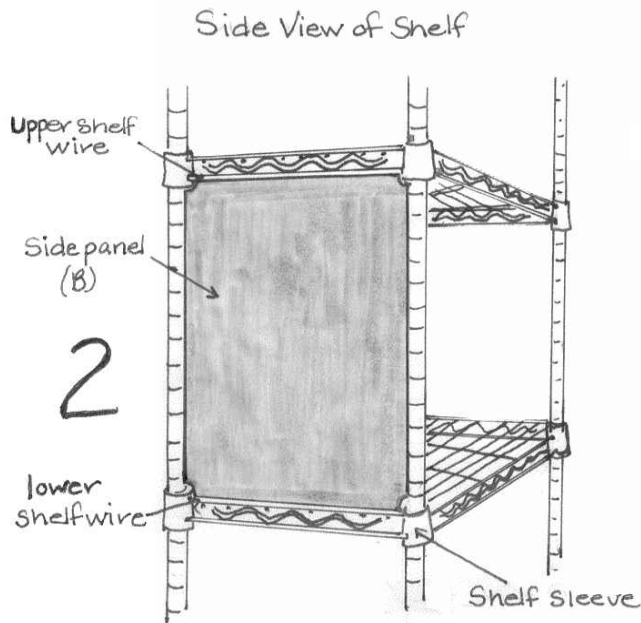
# WIRE SHELVING ENCLOSURE SYSTEMS

## Parts Included:

- A** One (1) back panel
- B** Two (2) side panels
- C** Two (2) front sliding doors
- D** (1) Set Upper and (1) lower track
- E** Two (2) door handles and (2) screws
- F** Five (5) to six (6) upper track clips
- G** Five (5) to six (6) lower track clips
- H** Five (5) to six (6) panel clips
- I** Several split vinyl tubes
- J** Adhesive strips

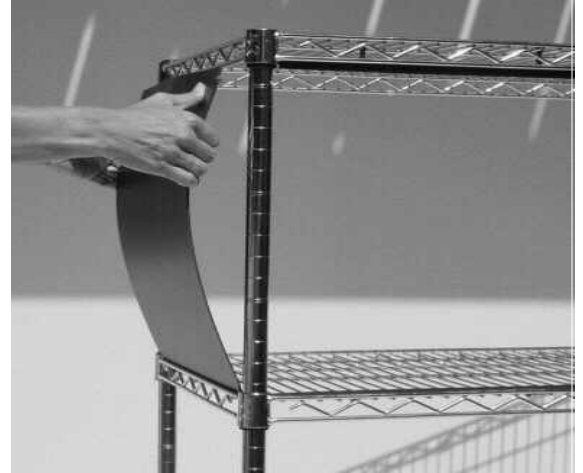


## DIAGRAMS 1 - 6



## SIDE PANEL INSTALLATION

1. Adjust shelves to correct height for enclosure. Make square on both sides  
*16" Enclosure= 16" opening*  
*18" Enclosure = 18" opening.*
2. Hold sides of panel with bevel facing the shelf,  
**(beveled edges are on sides and fit flush against poles).**  
Place bottom of panel on shelf behind horizontal shelf wire.
3. Bend top of panel to fit between upper horizontal shelf wire and pole sleeve.  
\* *The panel should not show above horizontal shelf wire, or have a gap below.*  
*If panel shows above wire, pound down lower shelf.*  
*If panel has gap below wire pound down upper shelf.*



## BACK PANEL INSTALLATION

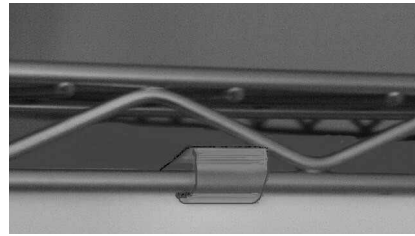
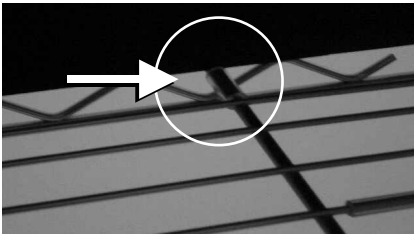
1. Hold back on sides with bevel facing toward shelf, place panel inside shelf bowing in, bend sides one at a time to fit in between horizontal shelf wire and pole sleeves.

2. Pull center of panel towards you to fit against horizontal upper and lower shelf wires.



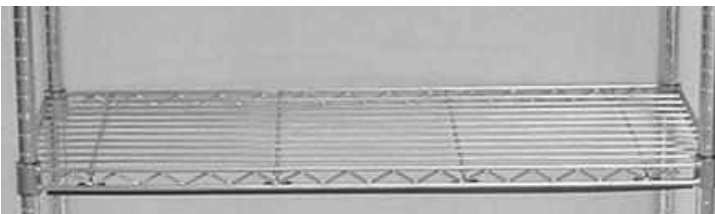
\*\* To make the enclosure more secure

**Install clear vinyl tubing (I) and clear clips (H)** Open tube and slide on wire against panels. Open clear clip, with flat side up, push over wire at top of panel, press further until it snaps over top of panel.

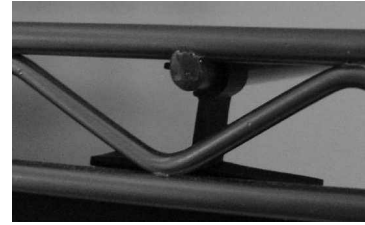
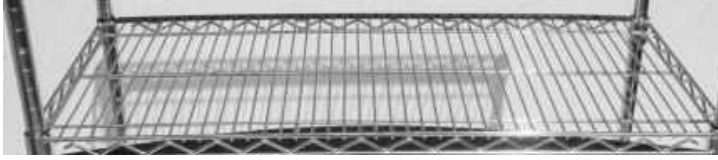


**Regular shelves** (shelf wire go side to side)  
*Longest Tube, Side Panels*  
*2nd Longest, back panel*  
*Shortest Tube, behind all track clips*

**Commercial shelves** (shelf wires go front to back)  
*Longest Tube, Back Panel*  
*Shortest Tube, Side Panels*  
*2nd longest Tube, behind all track clips*

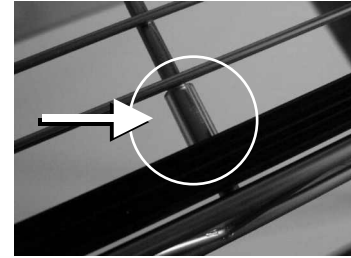


1. Place Upper (F) and Lower (G) Track clips on support wires, press on with thumb, pull forward against front shelf wires, remove tape tabs.



*\*\*\* If installing on commercial shelves that shelf wires go front to back (shown above) place upper and lower clips about 3" from pole then space about 9" apart with last clip 3" from other pole.*

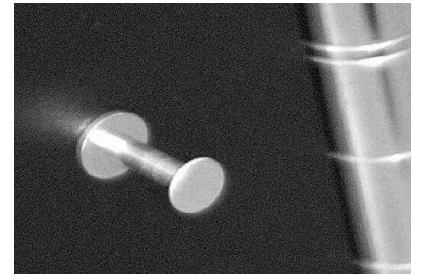
2. Hold upper track between pole sleeves, starting with left side press clips tight to adhere tape one at a time to track, repeat for lower track.
3. Place clear split tubing (I) on wires behind all clips.



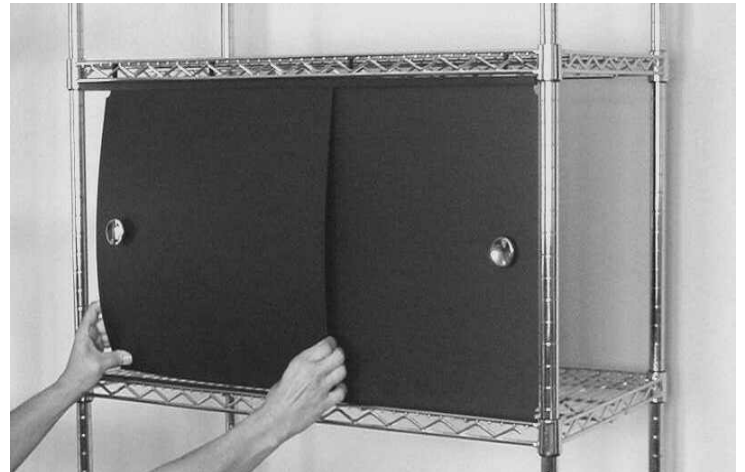
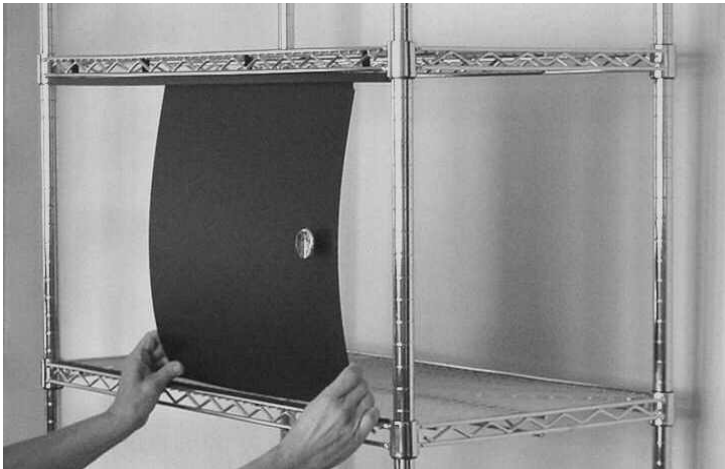
## FRONT DOOR PANELS

Bevel side is back of doors to face inside of shelf unit.

1. Put screw in hole thru back of doors, slide on washer, screw knob on tightly.
2. Place first door in back panel of upper track, bend bottom of panel to fit into back channel of lower track.
3. Place second door in front channel of upper track, bend bottom to fit in front channel.



*\*\*\*\* If doors fit too tight pound down lower shelf.*



## Tips

If you are stacking two or more enclosures on Regular shelves the lower track clips will not fit on wires because of clips below. Use enclosed double stick tape and place on the top of upper track clips from Enclosure below. Then put lower track on tape.

If adhesive pulls off with age replace with double stick foam tape.

Panels may be cleaned with a soft cloth, glass cleaner or dish soap for grease. Plastic Polish #1 can be used to renew and guard against static.



Made in USA Pat. 6386657  
For replacement parts FAX (616) 844-1956  
e-mail: [info@chadko.net](mailto:info@chadko.net)